

ROLLERS SERIES 3600

Heavy-duty conveyor roller

Load capacities of series 3600

The load capacity table refers to a temperature range of +5 to +40 °C.
Valid for the following shaft designs: female thread or male thread.

Bearing: 6204 2RZ and 6205 2RZ.

Tube material	Ø Tube / thickness [mm]	Drive element	Ø Shaft [mm]	Maximum static load [N] for installation length						
				400	600	800	1000	1200	1400	1600
Steel	80 x 2	Polymer sprocket head 5/8", T15 and T18	20	3500	3500	3500	3500	3500	3310	2510
		Polymer double sprocket head 5/8", T15 and T18		3500	3150	3005	2925	2880	2845	2600
		Polymer toothed belt drive head 8, T25		3500	3150	3005	2925	2880	2845	2600
Steel	80 x 3	Polymer sprocket head 5/8", T15 and T18	20	3500	3500	3500	3500	3500	3500	3500
		Polymer double sprocket head 5/8", T15 and T18		3500	3150	3005	2925	2880	2845	2825
		Polymer toothed belt drive head 8, T25		3500	3150	3005	2925	2880	2845	2600
Steel	89 x 3	Polymer sprocket head 5/8", T15 and T18	20	3500	3500	3500	3500	3500	3500	3500
		Polymer double sprocket head 5/8", T15 and T18		3500	3150	3005	2925	2880	2845	2825
		Polymer toothed belt drive head 8, T25		3500	3150	3005	2925	2880	2845	2825

T = Number of teeth

The width of the toothed belt drive head allows the use of two toothed belts.

Dimensions

The dimensions of the conveyor roller depend on the shaft version. A sufficient axial play is already taken into account, so that only the actual lane width between side profiles is required for ordering.
Ordering dimensions for tube sleeves, e.g. PVC sleeves, see page 31, and for flanges see page 36.

RL = Reference length / ordering length

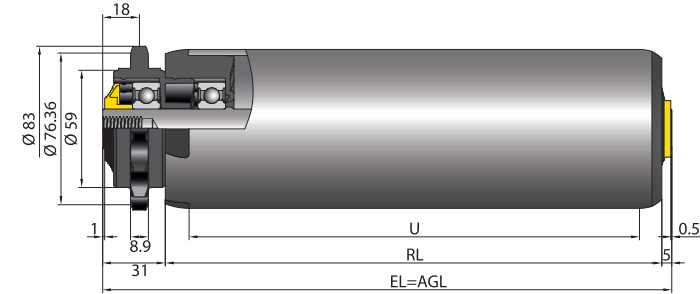
EL = Installation length, inside diameter between side profiles

AGL = Total length of shaft

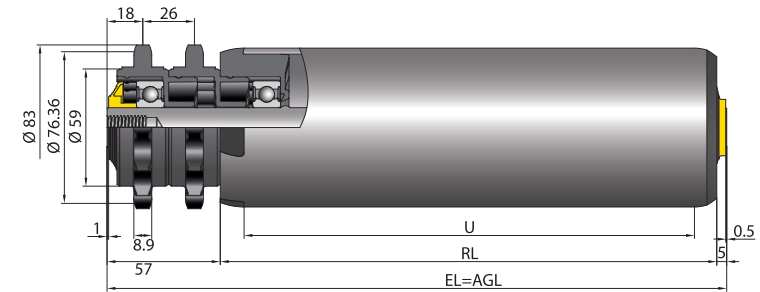
U = Usable tube length: Length without bearing housing and for flanged metal tube without length of flanging

Ø Tube [mm]	Ø Shaft [mm]	Drive element	EL [mm]	AGL [mm]	U [mm]
80 x 2	20	Polymer sprocket head 5/8", T15 and T18	RL + 36	RL + 36	RL - 24
		Polymer double sprocket head 5/8", T15 and T18	RL + 62	RL + 62	
		Polymer toothed belt drive head 8, T25			
80 x 3	20	Polymer sprocket head 5/8", T15 and T18	RL + 36	RL + 36	RL - 24
		Polymer double sprocket head 5/8", T15 and T18	RL + 62	RL + 62	
		Polymer toothed belt drive head 8, T25			
89 x 3	20	Polymer sprocket head 5/8", T15 and T18	RL + 36	RL + 36	RL - 24
		Polymer double sprocket head 5/8", T15 and T18	RL + 62	RL + 62	
		Polymer toothed belt drive head 8, T25			

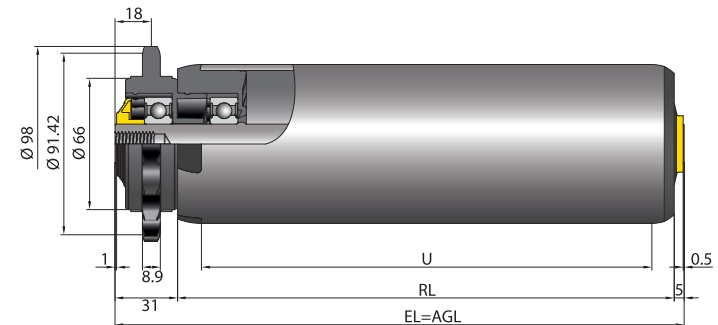
5/8" polymer sprocket head with 15 teeth



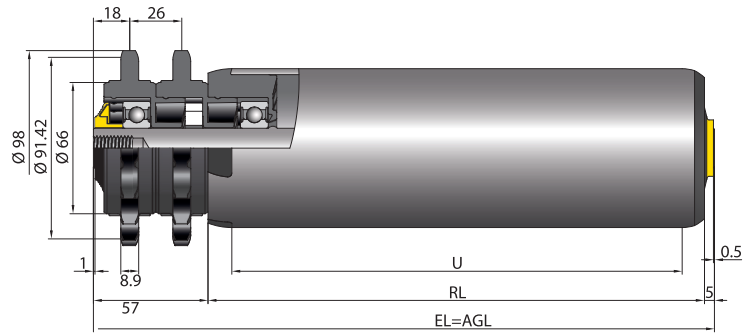
5/8" polymer double sprocket head with 15 teeth



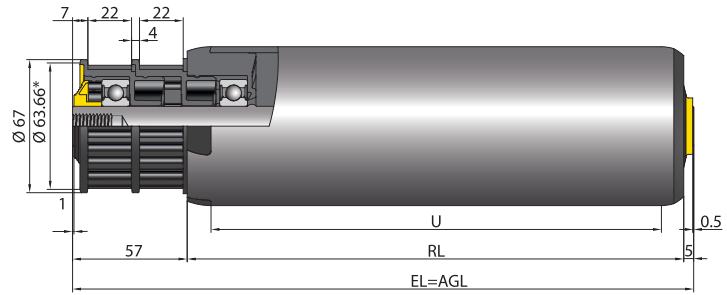
5/8" polymer sprocket head with 18 teeth



5/8" polymer double sprocket head with 18 teeth



Toothed belt drive head (8 pitch) with 25 teeth and female threaded shaft



* Effective diameter

Interroll recommends a max. belt width of 20 mm and an HTD gearing.